

5000 Series 4 1/16" ATFP Blast Tested Single Hung Window



***MANKO WINDOW SYSTEMS, INC.
800 HAYES DRIVE
MANHATTAN, KANSAS 66502
PHONE: (800) 642-1488 (785) 776-9643
FAX: (800) 576-2656 (785) 776-9644***

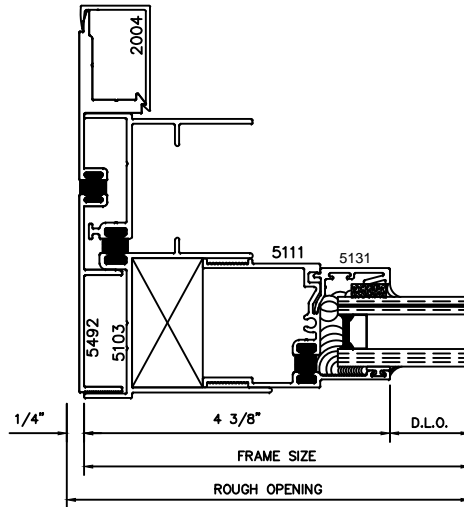
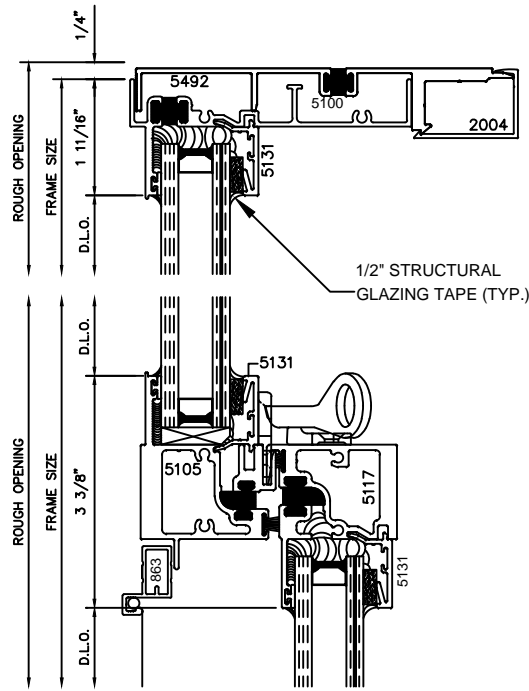
***MANKO WINDOW SYSTEMS, INC.
11000 EAST 51ST AVE. SUITE B
DENVER, COLORADO 80239
PHONE: (888) 642-1488 (303) 375-0642
FAX: (888) 576-2656 (303) 375-0669***



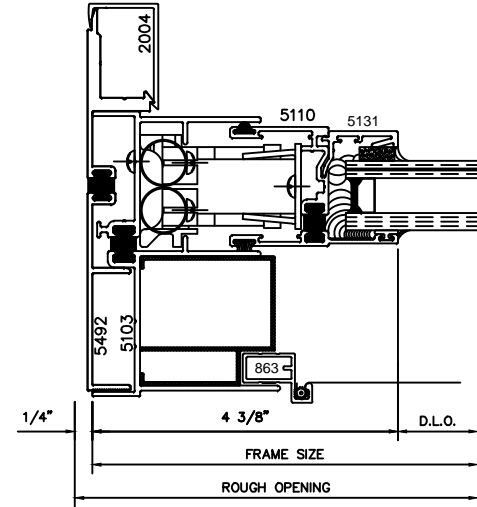
5000 Series
4 1/16" ATFP Blast Tested Single Hung Window

TABLE OF CONTENTS

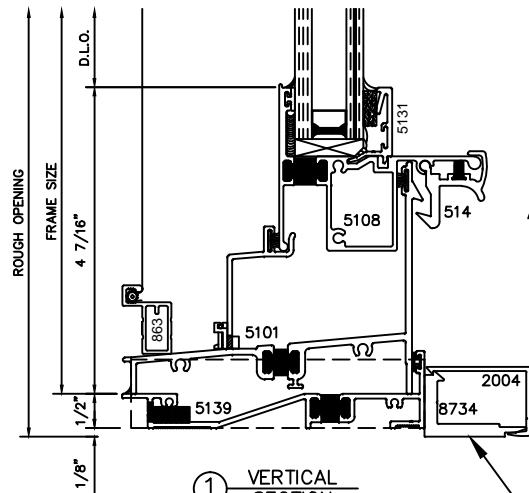
- ATFP SINGLE HUNG ELEVATION 1
- ATFP FIXED ELEVATION 2



③ TOP SASH



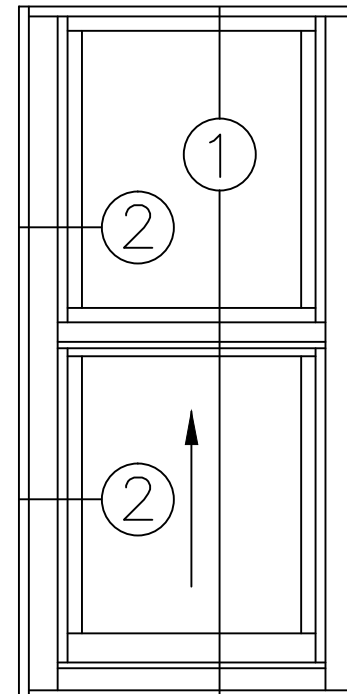
④ BOTTOM SASH



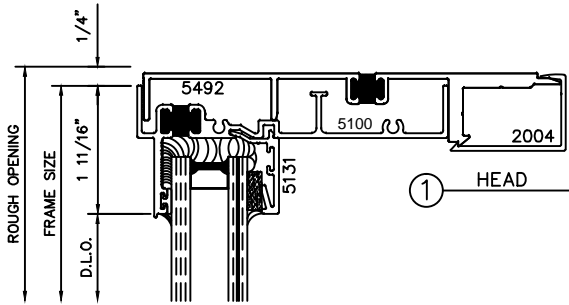
① VERTICAL SECTION

5000-BLAST MITIGATION
 ASTM-F1642-MINIMAL HAZARD
 GSA- LEVEL 2
 TEST SIZE 48" X 72"
 ACTUAL GLASS SIZE = 1 1/2" OVER D.L.O.
 ANCHORAGE PER TEST SPECIFICATIONS
 OR BY STRUCTURAL ENGINEER

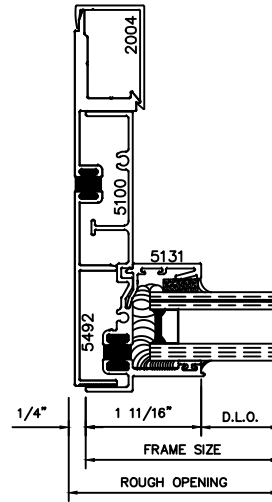
SNAP TRIM TO RUN THRU AT SILL



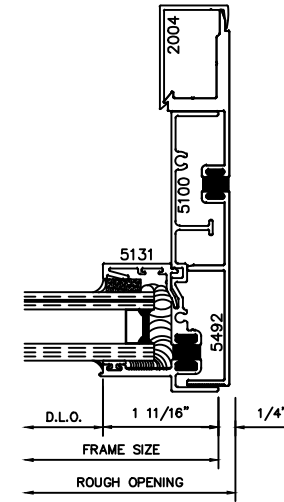
5000 ATFP SINGLE HUNG



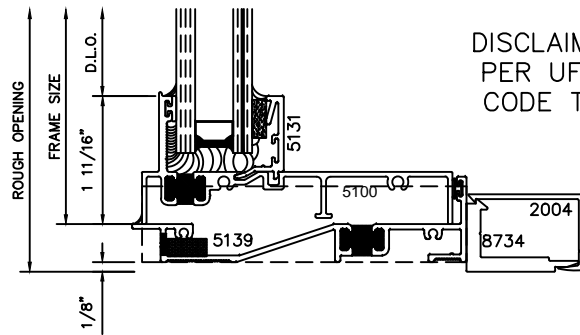
① HEAD



③ JAMB

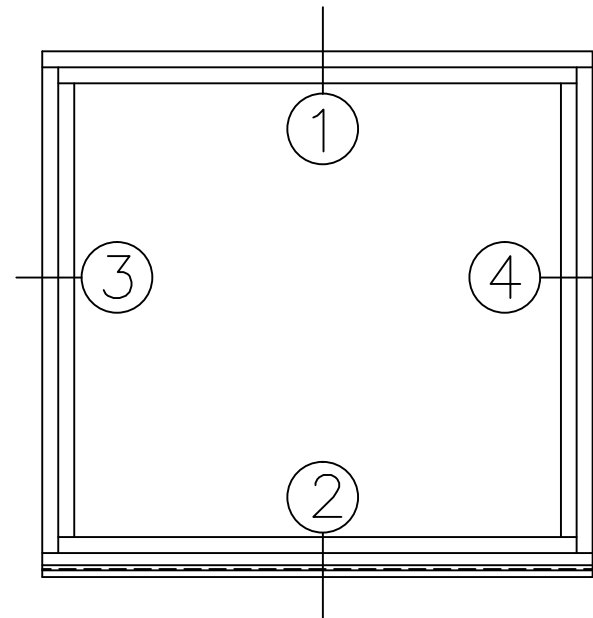


④ JAMB



② SILL

DISCLAIMER: ANCHORS AND INSTALLATION PER UFC BLAST AND FORCE PROTECTION CODE TO BE APPROVED BY STRUCTURAL ENGINEER



5000 ATFP FIXED WINDOW