

4000 Series 4 1/16" ATFP Blast Tested Horizontal Sliding Window



***MANKO WINDOW SYSTEMS, INC.
800 HAYES DRIVE
MANHATTAN, KANSAS 66502
PHONE: (800) 642-1488 (785) 776-9643
FAX: (800) 576-2656 (785) 776-9644***

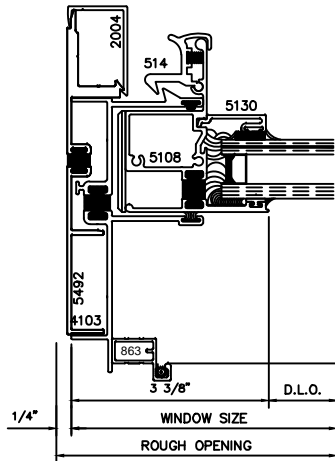
***MANKO WINDOW SYSTEMS, INC.
11000 EAST 51ST AVE. SUITE B
DENVER, COLORADO 80239
PHONE: (888) 642-1488 (303) 375-0642
FAX: (888) 576-2656 (303) 375-0669***



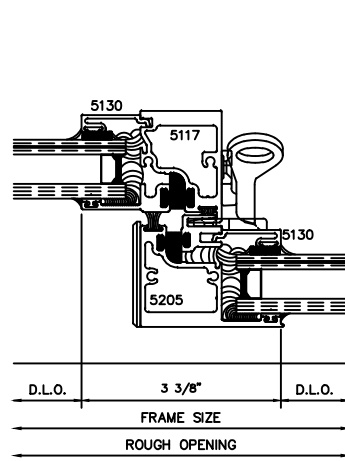
4000 Series
4 1/16" ATFP Tested Horizontal Sliding Window

TABLE OF CONTENTS

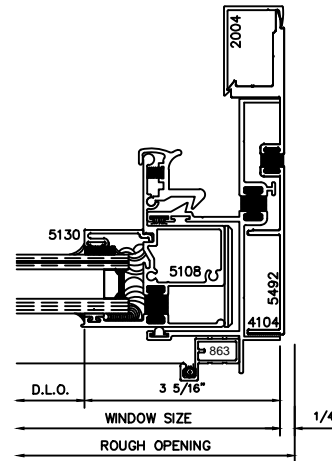
- **ATFP SLIDING WINDOW ELEVATION** 1



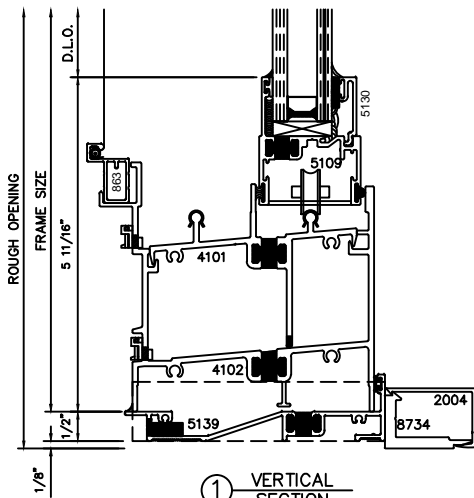
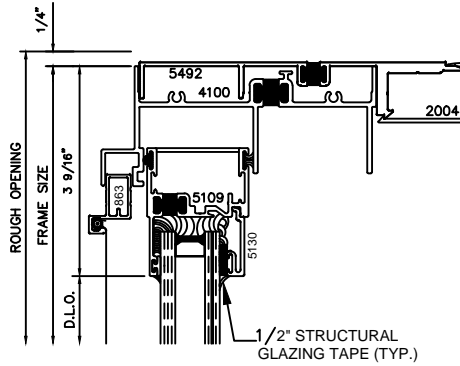
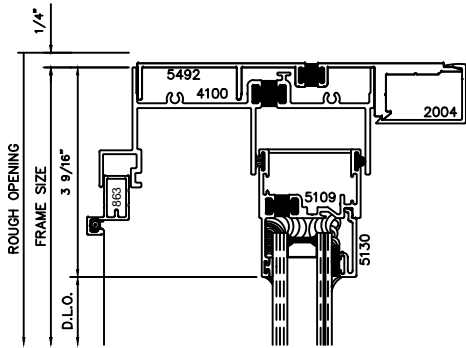
③ JAMB



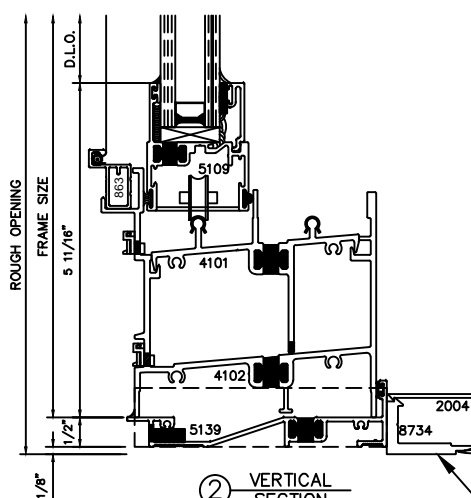
④ KEEPER RAIL



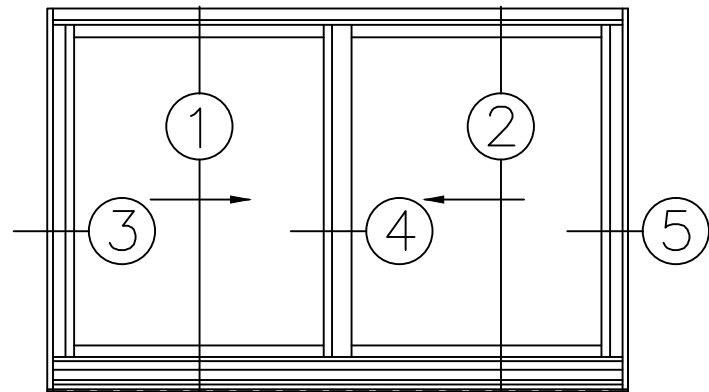
⑤ JAMB



① VERTICAL SECTION



② VERTICAL SECTION



4000-BLAST MITIGATION

ASTM-F1642-NO HAZARD
GSA-LEVEL 2

TEST SIZE - 72" X 48"
ACTUAL GLASS SIZE = 1 1/2" OVER D.L.O.



4000 ATFP SLIDER