

250 Series ATFP Blast 2 1/2" Glazed Curtain Wall



***MANKO WINDOW SYSTEMS, INC.
800 HAYES DRIVE
MANHATTAN, KANSAS 66502
PHONE: (800) 642-1488 (785) 776-9643
FAX: (800) 576-2656 (785) 776-9644***

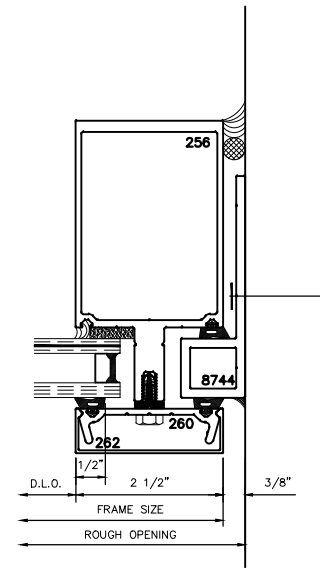
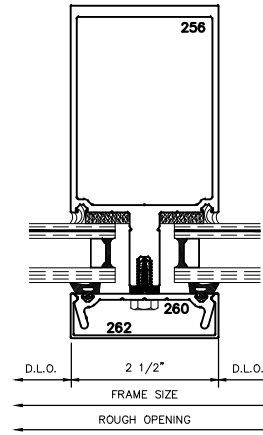
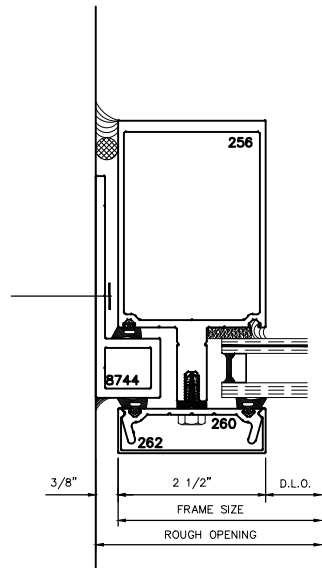
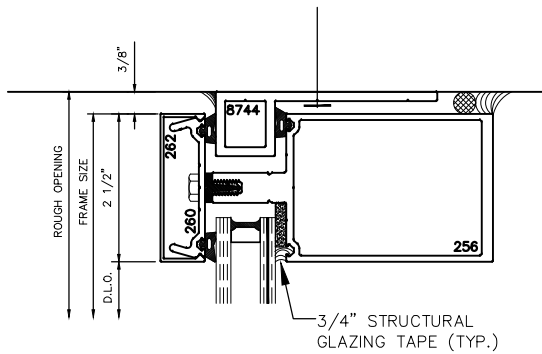
***MANKO WINDOW SYSTEMS, INC.
11000 EAST 51ST AVE. SUITE B
DENVER, COLORADO 80239
PHONE: (888) 642-1488 (303) 375-0642
FAX: (888) 576-2656 (303) 375-0669***



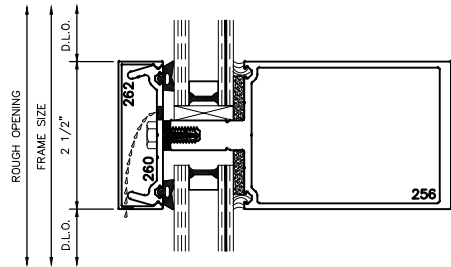
*250 Series ATFP Blast
2 1/2" Glazed Curtain Wall*

TABLE OF CONTENTS

- 2-1/2" MULLION ELEVATIONS 1



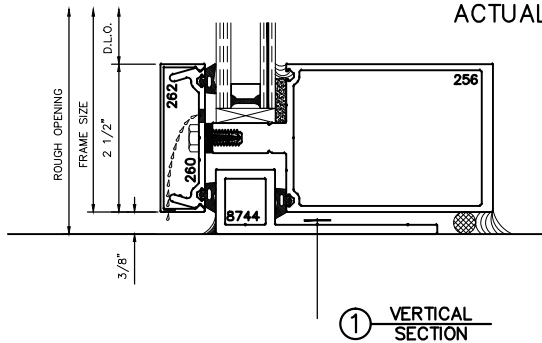
② HORIZONTAL SECTION



250 - BLAST MITIGATION

ASTM-F1642 - NO HAZARD
GSA - LEVEL 2

TEST SIZE - 85 3/4" X 85 3/4"
ACTUAL GLASS SIZE = 1 1/2" OVER D.L.O.



① VERTICAL SECTION



250 ATFP
CURTAIN WALL

