



## **175 Series Mall Slider Installation Instructions**

Review opening conditions and confirm the squareness and flatness of the sill condition. If squareness of the opening is outside of a 1/4 inch in 4 foot and flatness of the sill condition is outside of 1/8 inch in 4 foot, do not install this product until unacceptable conditions are meet.

Install number of 1210 sill track(s) and 1209 head track(s) according to number of panels required. Shim sill and head track(s) to plum and squareness. Anchor with fasteners as shown on shop drawings to ensure proper installation based on current substrate materials. Shim 1209 jamb(s) at end of opening according to the number of panels required. Anchor with fasteners as shown on shop drawings to ensure proper installation based on current substrate materials.

Panels must be tilted up at an angle into 1209 head track. Lift it into the 1209 head track as far as it will go and then straighten panel plum and lower down onto the 1210 sill track. Alternate panels in tracks as required.

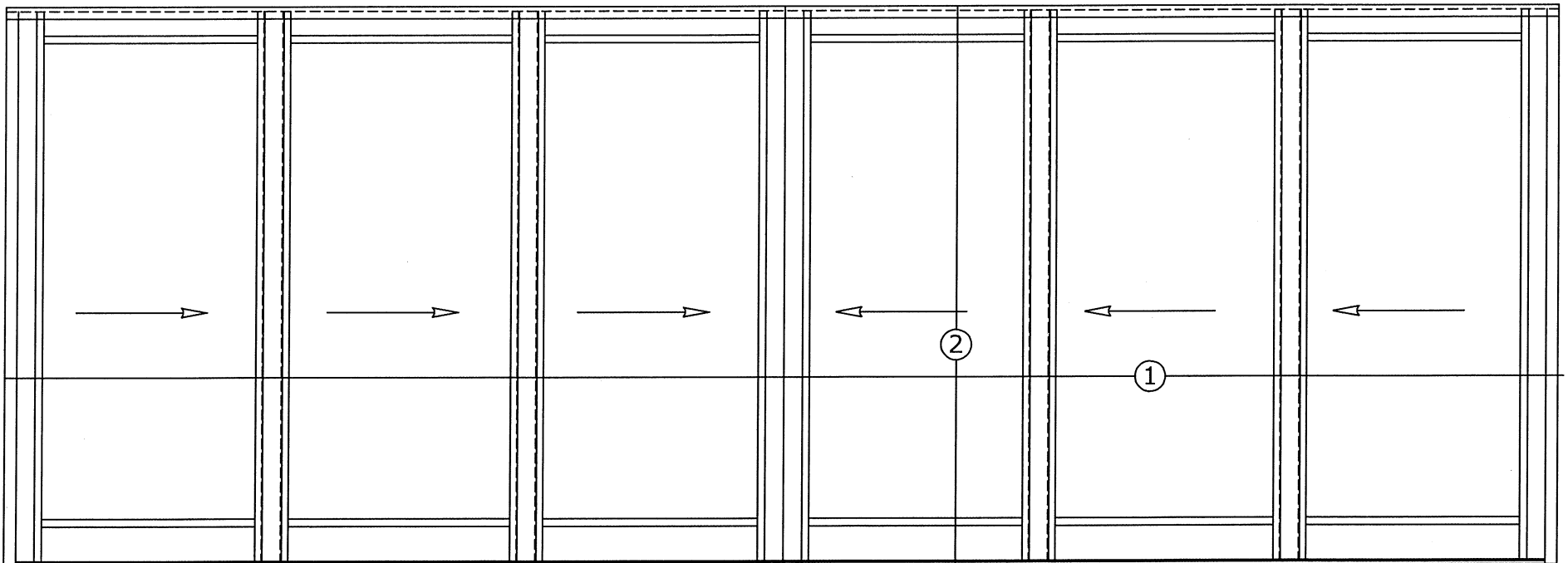
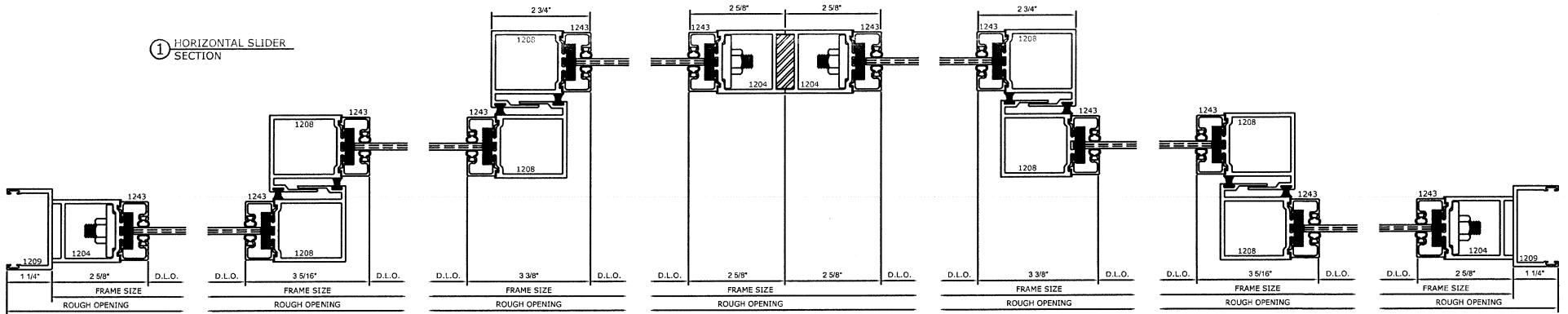
Adjust rollers from pre-drill holes on either end of the operable panel. To adjust the panel, use a Phillips head screw driver to loosen or tighten the screw on one end of each roller. Adjust rollers until operable panel is plumb to other panels and jamb. It is essential for smooth operation that all panels be level, plum and free of any debris in the 1210 sill track(s). Clean 1210 sill tracks as required to remove any debris.

Maintain glazing and aluminum as per Manko's Glass care and Maintenance and aluminum as per AAMA 609 & 610-2 Cleaning and Maintenance Guide of Architecturally Finished Aluminum.



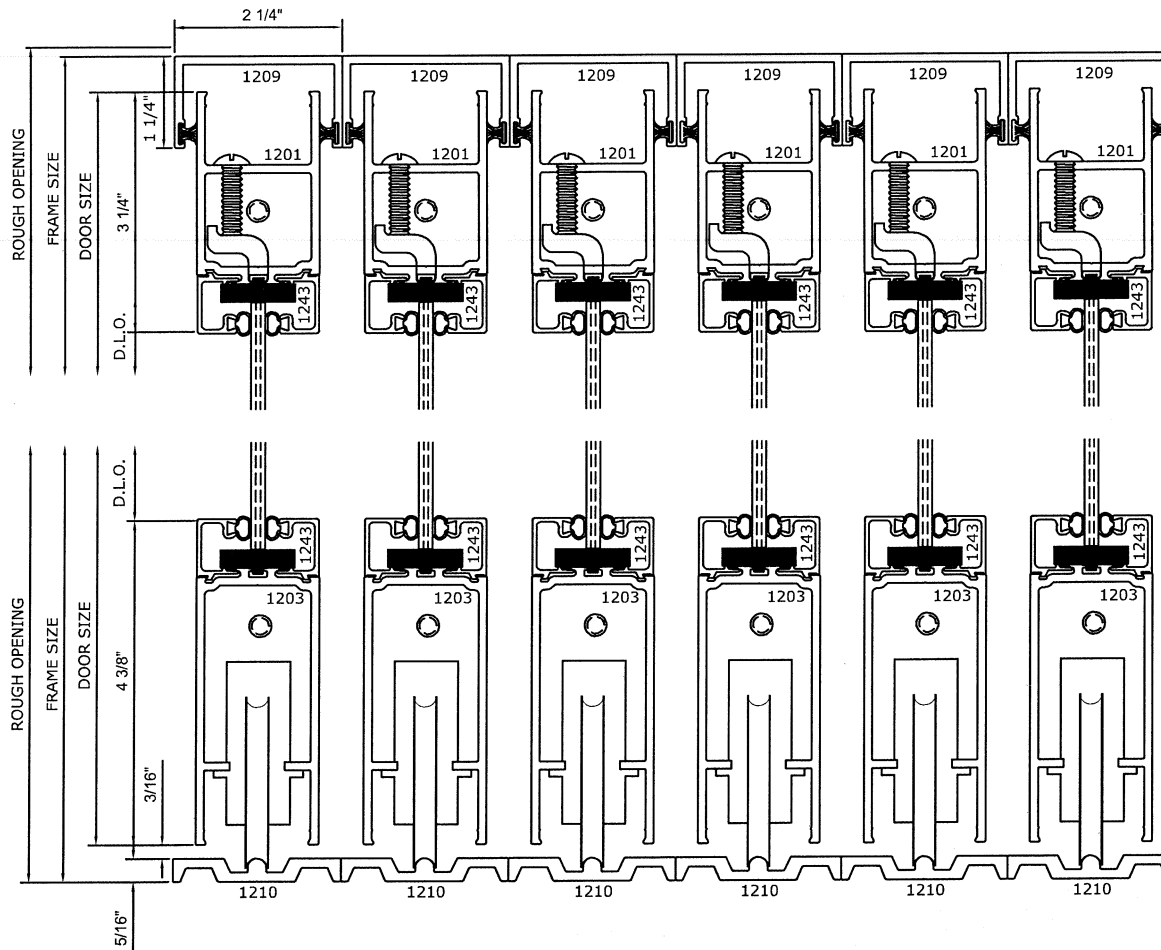
175 MALL SLIDER  
6 PANEL DOORS

① HORIZONTAL SLIDER SECTION





175 MALL SLIDER  
6 PANEL DOORS

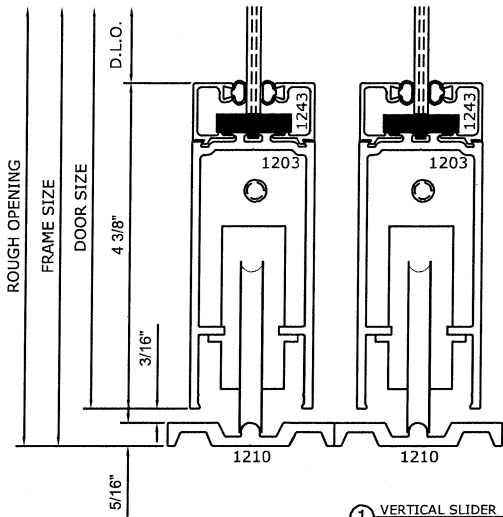
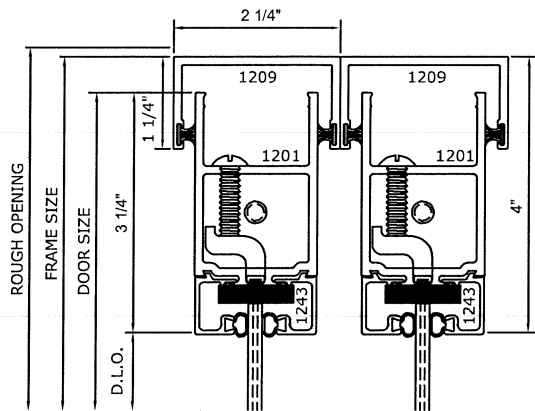


② VERTICAL SLIDER SECTION



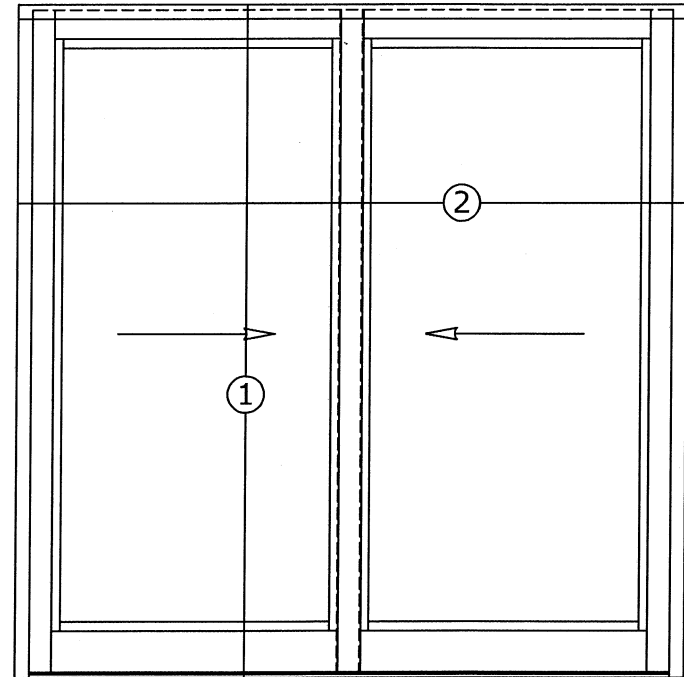
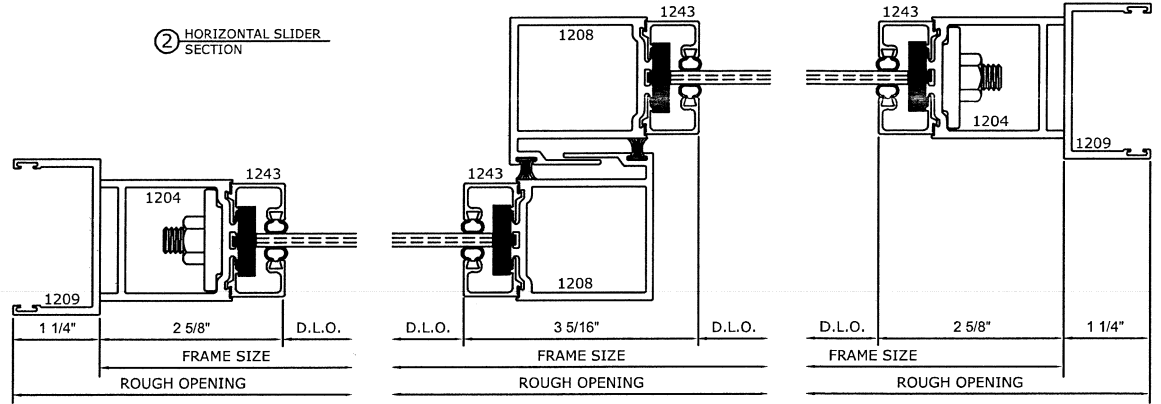
# 175 MALL SLIDER

## 2 PANEL DOORS



① VERTICAL SLIDER SECTION

② HORIZONTAL SLIDER SECTION





# 175 MALL SLIDER 3 PANEL DOORS

