

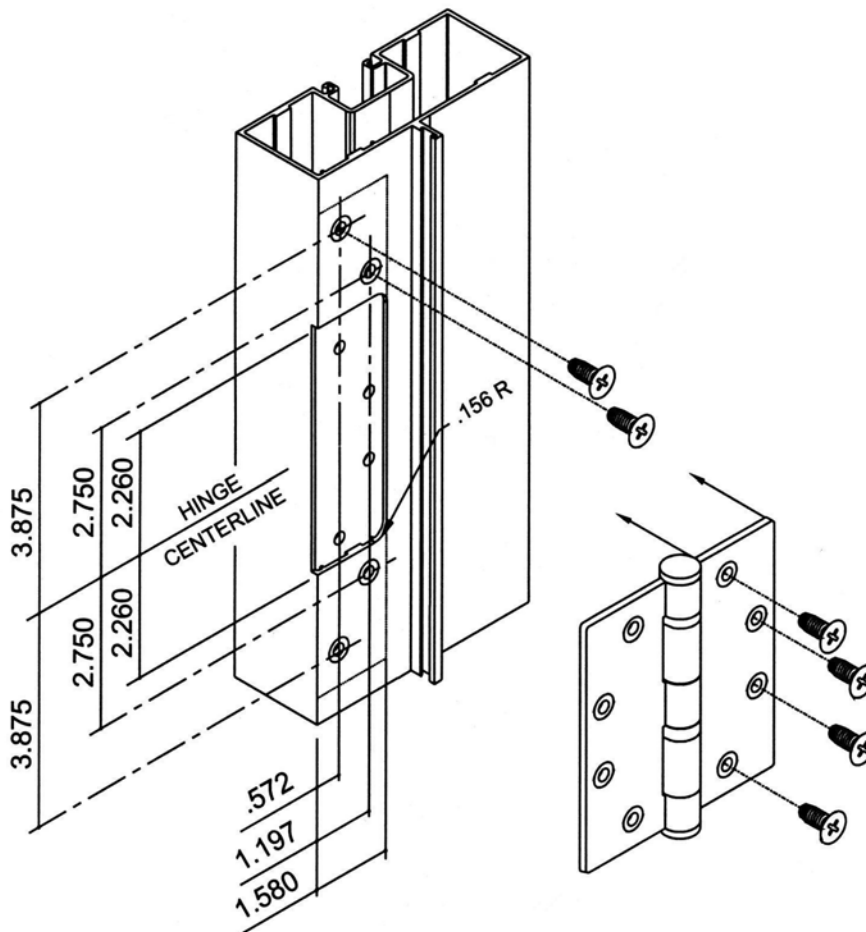
Door Installation Instructions

Butt Hinges

Be sure that the butt hinge reinforcing plate is in the correct position. Align the door with the hinges applied and attach the hinges to the reinforcing plate in the frame.

Jamb prep for Manko standard 4 1/2" x 4" hinges shown, if not factory prepped. For 1 3/4" standard doors only.

All screws supplied with hinge.



Door Glass Installation

- When glazing a door with a midrail, glaze the lower section of the door first, then repeat the instructions to glaze the upper section.
- The instructions below assume that the door frame has been installed plumb and true and has been anchored adequately for the application.

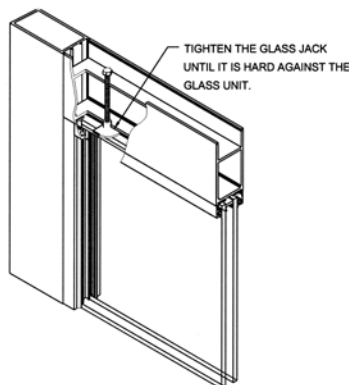
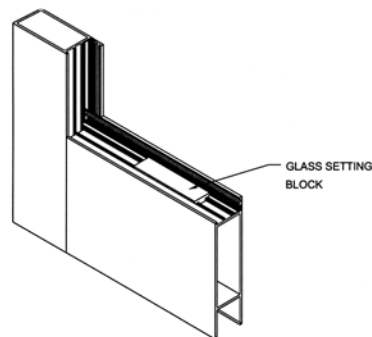
Door Leaf in a Horizontal Position

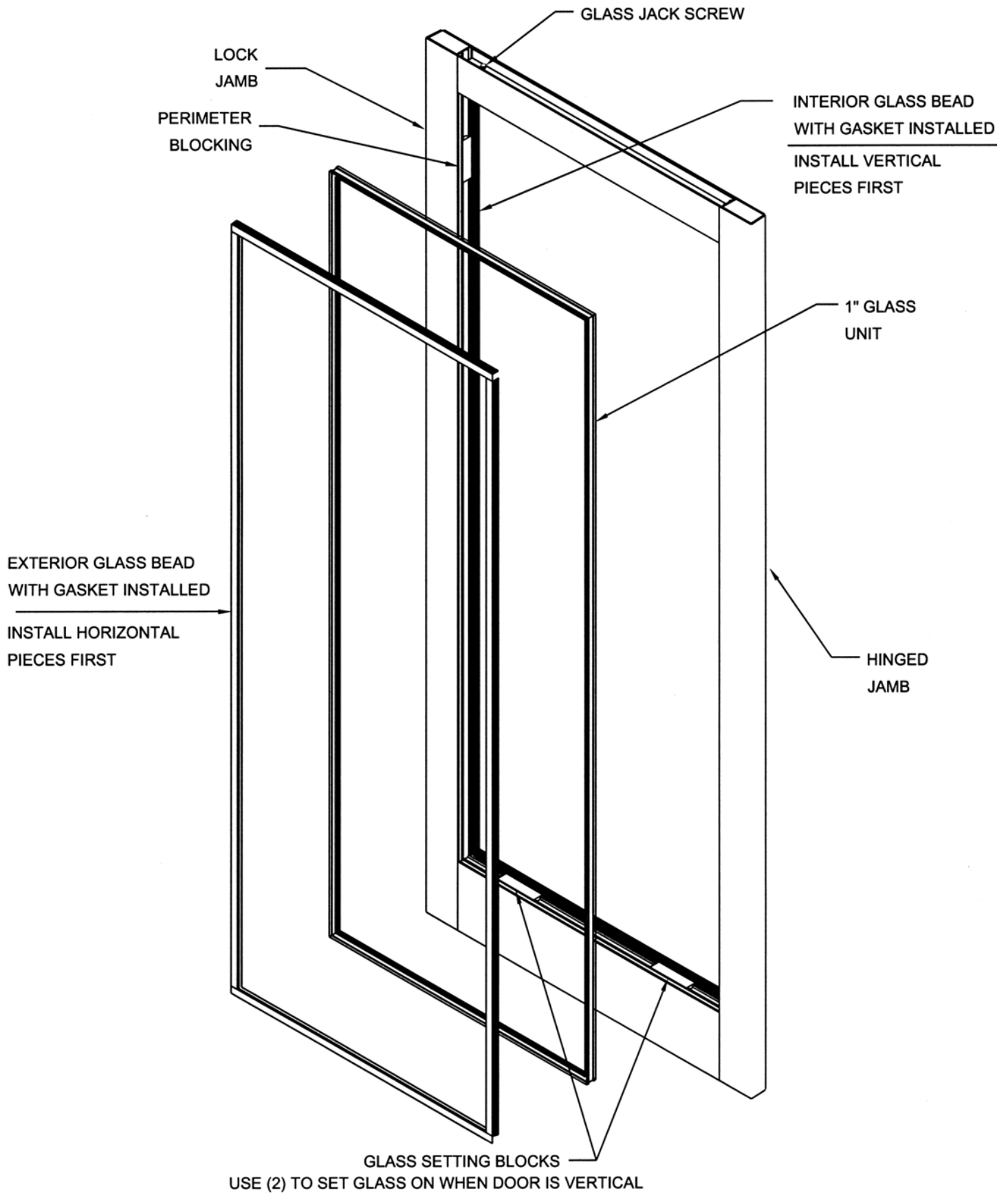
1. If it is possible to glaze the door with it laying horizontally this will aid in compressing the glazing gasket and ease the installation of the glass.
2. To glaze the door horizontally, hook on the interior glass stops with the glazing gasket in place. Horizontal stops to run through vertical stops. Place this interior side down. Be sure the glass adjusting jack is backed off so it does not interfere with the glass unit. Install two (2) glass setting blocks at the bottom rail.
3. Place the glass unit on the installed glass beads and block the glass to maintain an equal space around the glass to the aluminum, typically 3/16”.
4. Check the door for squareness and adjust the glass blocking to accommodate any discrepancies. Tighten the glass adjusting jack to make contact with the glass firmly.
5. Install the outer glass stops with the glazing gasket installed. Horizontal glass stops to run through vertical stops.
6. Hang the door leaf, check the perimeter door clearances, and make sure the door is square.

Door Leaf in a Vertical Position

1. To install a glass unit in a door leaf that is installed in frame, first be sure the door leaf is square. Block or clamp the door leaf accordingly. Be sure the glass adjusting jack is backed off so it does not interfere with the glass unit being installed.

2. Install the interior glass stops, horizontal running through verticals with the glazing gasket installed.
3. Install two (2) glass setting blocks at the bottom rail to set the glass unit on.
4. Set the glass unit in the door leaf, pushed against the interior glazing gasket and stops.
5. Block the glass unit all around to maintain an equal glass to aluminum space, typically 3/16". Tighten the glass adjusting jack to make contact with the glass unit firmly.
6. Remove any extra clamps or blocks, check the door for squareness, and adjust the glass blocking to accommodate any discrepancies. Also close the door and check the door clearance to the frame all around.
7. Install the exterior glass stops, horizontal running through verticals with the glazing gasket installed.





Door Clearance Adjustments

1. With the door open, wedge the lock stile side of the door until the clearance at the top of the door is equal.
2. Turn glass adjusting jack screw clockwise to raise corner, counter clockwise to lower corner.
3. Close door and check for even clearance across top of door. Adjust again if required.

Caution

To prevent glass breakage, always support the weight of the door so the screw turns easily.

If the door clearance is severely unequal, it may be necessary to remove the glass stops and remove the glass blocking to allow adjustments.

